

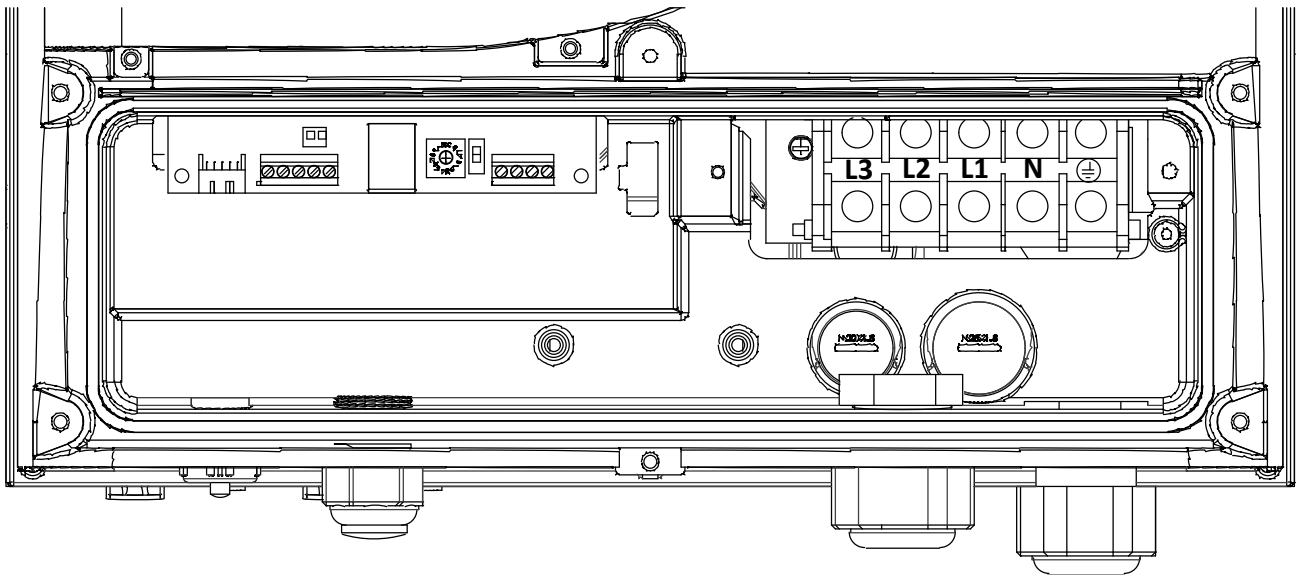
TECHNICAL ANNOUNCEMENT

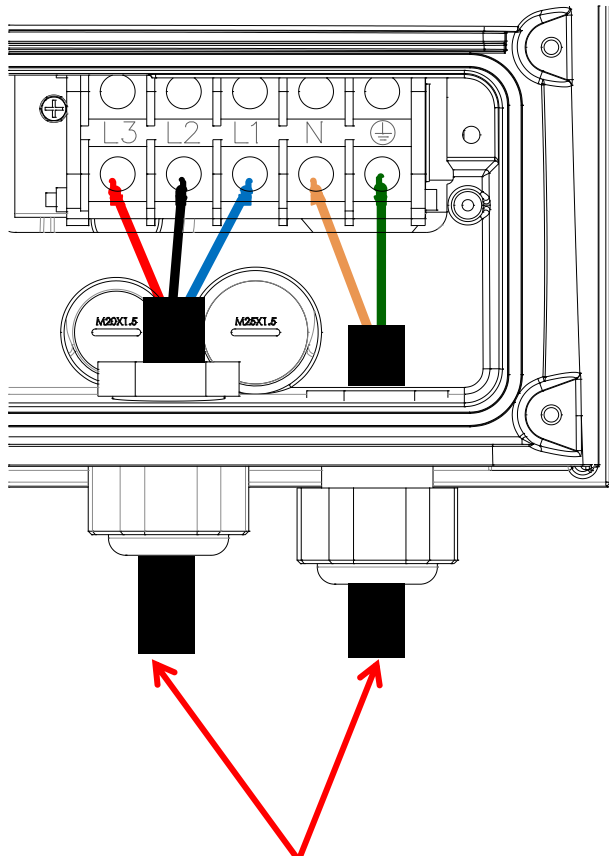
May 10th, 2018

To whom it may concern,

We appreciate your support for PrimeVOLT PV inverter. Hereby please be delivered our reminder of the wiring installation. In order to ensure IP65 waterproof and avoid water seepage, please settle the waterproof rubber sealing accurately as below instruction before continue the wiring procedure.

Thank you so much for your attention and cooperation.





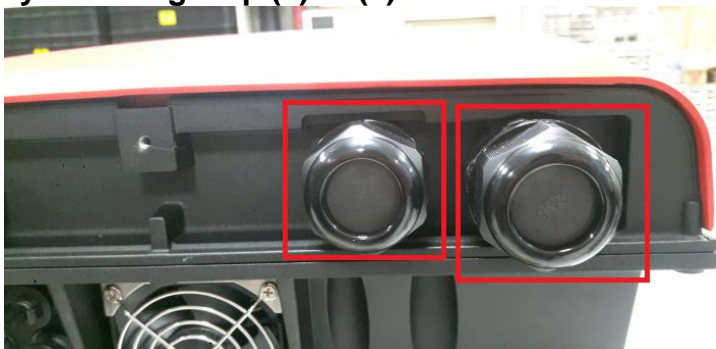
- PrimeVOLT will send above three holes rubber Sealing Insert + Clamping Claw, please use on the inverters which were in your stocks or installed power plant.
- In future shipment, the three holes rubber Sealing Insert + Clamping Claw will be plugged inside the cable gland.

SOP for un-installed stocks

(1) To proceed the rubber Sealing Insert + Clamping Claw change procedure in the carton by following step (2) ~ (5).



(2) Original shipment outlook of the two cable glands, each of them need to be replaced by following step (3) to (5).



(3) Take out the original rubber Sealing Insert + Clamping Claw and plug the three holes rubber Sealing Insert + Clamping Claw which sent by PrimeVolt separately by Fedex into the cable glands.

Original Sealing Insert



Three holes Sealing Insert +Clamping Claw



(4) After plug in the three holes rubber Sealing Insert + Clamping Claw.



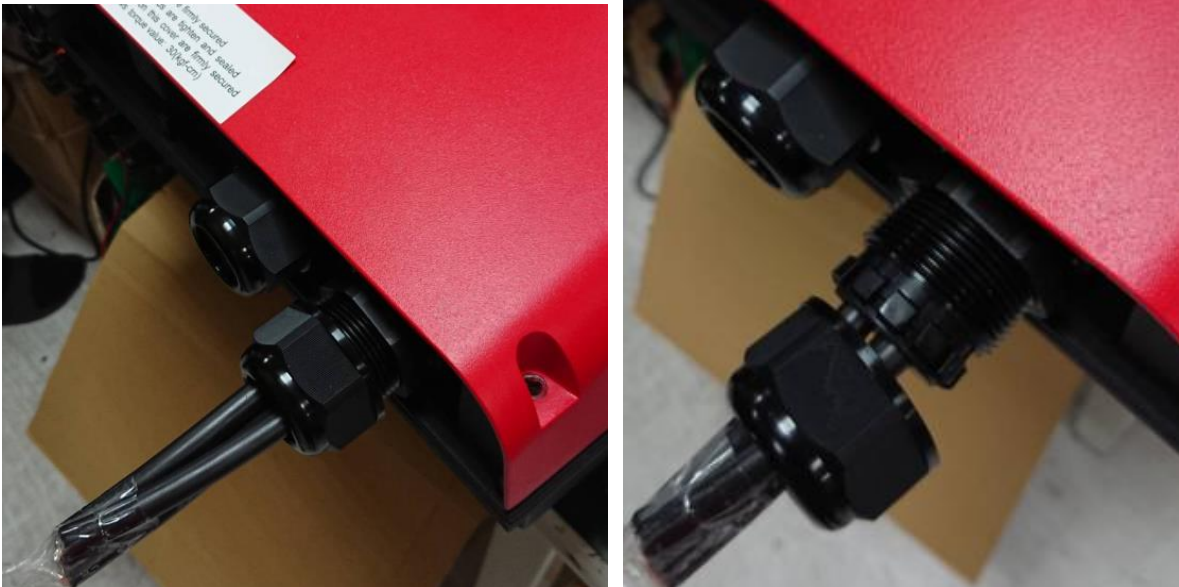
(5) Screw back tightly the original Thread-Lock Sealing Nut.



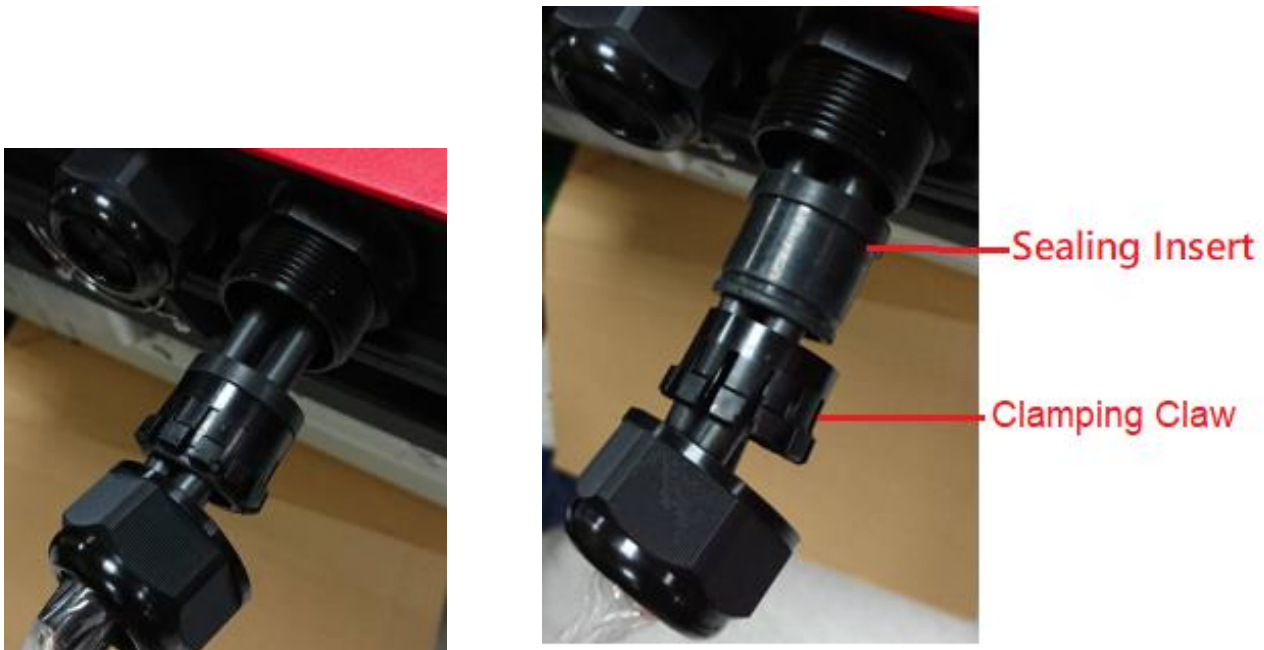
Original Thread-Lock Sealing Nut

SOP for on-site installed inverter

(1) Loosen the original Thread-Lock Sealing Nut



(2) Loosen apart the Sealing Insert and Clamping Claw



(3) Cut to remove the Sealing Insert.



Sealing Insert

(4) Take out the three holes Sealing Insert and cut out each of hole as below and Wrap it around the cable.



- **Attention:**

The three holes Sealing Insert has upper point (with larger circle) and lower point (with smaller circle), be sure the larger circle has to be face toward the inverter side.



upper point (with larger circle)

lower point (with smaller circle)

(5) The Three holes Sealing Insert must first be fitted with the Clamping Claw and then plugged back into the cable gland.

(6) Screw back tightly the original Thread-Lock Sealing Nut completed as below.

